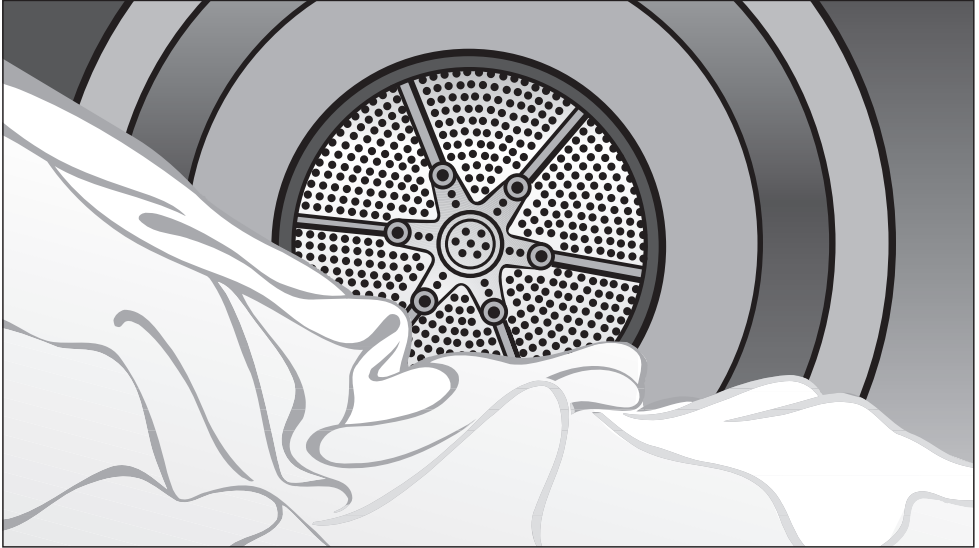


# Miele

HONEYCOMB CARE



## Operating instructions for heat pump tumble dryer T 8626 WP

To avoid the risk of accidents or damage to the appliance it is **essential** to read these instructions before it is installed and used for the first time.

en - GB

M.-Nr. 07 453 630

# Caring for the environment

---

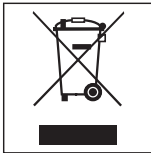
## Disposal of the packing material

The transport and protective packing has been selected from materials which are environmentally friendly for disposal and can normally be recycled.

Ensure that any plastic wrappings, bags, etc are disposed of safely and kept out of the reach of babies and young children. Danger of suffocation. Rather than just throwing these materials away, please ensure they are recycled.

## Disposal of your old appliance

Electrical and electronic appliances often contain materials which, if handled or disposed of incorrectly could be potentially hazardous to human health and to the environment. They are, however, essential for the correct functioning of your appliance. Please do not therefore dispose of your old appliance with your household waste.



Please dispose of it at your local community waste recycling centre or contact your dealer for advice. Ensure that it presents no danger to children while being stored for disposal.

## Energy saving tips

To avoid unnecessarily long drying times and high consumption of energy:



- Make sure that your laundry is thoroughly spun before drying. The higher the spin, the greater the savings that can be made in energy and time during drying.
- Load according to the optimum amount of laundry recommended for the programme being used. Underloading is uneconomical. Overloading gives a poorer quality of drying and may cause unnecessary creasing.
- Make sure that the room temperature is not too high. If there are other heat producing appliances in the room in which the dryer is located, make sure the room is well ventilated and switch the other appliances off, if possible.
- After every cycle remove the fluff from the surfaces of the fluff filters (see "Cleaning and Care").
- Clean the fine filter when the prompt to do so appears in the display.

<b>Caring for the environment</b> . . . . .	2
<b>Warning and Safety instructions</b> . . . . .	6
<b>Operating the tumble dryer</b> . . . . .	11
Control panel . . . . .	11
Display . . . . .	12
<b>Before using for the first time</b> . . . . .	14
<b>Notes on laundry care</b> . . . . .	15
Garment care label symbols . . . . .	15
Tips on drying . . . . .	15
<b>How to dry correctly</b> . . . . .	16
Brief instructions . . . . .	16
<b>Extra options</b> . . . . .	20
Freshen up . . . . .	20
Gentle tumble . . . . .	20
Anti-crease . . . . .	20
Buzzer . . . . .	20
<b>Delay start</b> . . . . .	21
<b>Programme chart</b> . . . . .	22
<b>Changing the programme sequence</b> . . . . .	26
Once a programme has started . . . . .	26
- changing the programme . . . . .	26
- cancelling the programme and then selecting a different programme . . . . .	26
- cancelling the programme and then removing the laundry . . . . .	26
Adding or removing laundry after a programme has started . . . . .	26
Time remaining . . . . .	26

# Contents

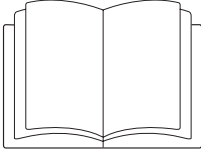
---

<b>Cleaning and care</b> . . . . .	27
Emptying the condensed water container. . . . .	27
Make sure you clean all the filters at the correct intervals. . . . .	28
When to clean the surfaces of the fluff filters . . . . .	28
When to clean the additional fine filters . . . . .	28
Cleaning the surfaces of the fluff filters . . . . .	29
1. In the door. . . . .	29
2. In the door opening. . . . .	29
Cleaning the fine filters . . . . .	30
1. Cleaning the fine filter in the door. . . . .	30
2. Cleaning the fine filters in the door opening. . . . .	32
3. Cleaning the fine filter in front of the heat exchanger unit . . . . .	33
Cleaning the tumble dryer . . . . .	34
<b>Problem solving guide</b> . . . . .	35
Check and fault messages in the display . . . . .	35
An unsatisfactory drying result . . . . .	37
Other problems . . . . .	38
Changing the lamp . . . . .	40
<b>After Sales service</b> . . . . .	41
Repairs. . . . .	41
Future updates (PC) . . . . .	41
Appliance guarantee . . . . .	41
Optional accessories . . . . .	41
<b>Installation</b> . . . . .	42
Front view. . . . .	42
Rear view . . . . .	43
Transporting the dryer . . . . .	43
Installation site . . . . .	44
Building under a continuous worktop/ in a row of kitchen units . . . . .	44
Levelling the appliance. . . . .	45
Washer-dryer stack. . . . .	45

External condensed water outlet . . . . .	46
Arranging the drain hose . . . . .	46
External drainage via a sink or gully . . . . .	47
Installation conditions requiring a non-return valve . . . . .	47
<b>Electrical connection</b> . . . . .	<b>49</b>
Electrical connection U.K. . . . .	49
<b>Consumption data</b> . . . . .	<b>50</b>
<b>Technical data</b> . . . . .	<b>51</b>
<b>Settings menu</b>  . . . . .	<b>53</b>
To open the Settings menu . . . . .	53
To close the Settings menu . . . . .	53
Language  . . . . .	53
Time . . . . .	54
Drying levels . . . . .	54
Anti-crease . . . . .	54
Lock code . . . . .	55
Buzzer . . . . .	56
Keypad tone . . . . .	56
Contrast . . . . .	56
Brightness . . . . .	56
Standby display . . . . .	56
Memory . . . . .	56

# Warning and Safety instructions

---



► It is **essential** to read these instructions.

This tumble dryer conforms to current safety requirements. Inappropriate use can, however, lead to personal injury and damage to property.

To avoid the risk of accidents and damage to the tumble dryer, please read these instructions carefully before using it for the first time. They contain important information on its safety, installation, use and maintenance.

Keep these instructions in a safe place and ensure that new users are familiar with the content. Pass them on to any future owner.

## Correct application

► This tumble dryer is for domestic use only and can only be used to dry items which have been washed in a water solution and which are marked on the manufacturer's care label as being suitable for tumble drying. "Dry cleaning kits" for freshening up garments in a tumble dryer are increasingly available on the market. If using, do so at your own risk, and follow the instructions provided on the packaging.

Any other applications may be dangerous. Miele cannot be held liable for damage resulting from incorrect or improper use or operation.

► This appliance is not intended for use by persons (including children) with reduced physical, sensory or mental capabilities, or lack of experience or knowledge, unless they are supervised whilst using it or have been shown how to use it by a person responsible for their safety.

## Safety with children

► Keep children away from the tumble dryer at all times. It is not a toy! To avoid the risk of injury do not allow them to play on or near it or to play with its controls. Supervise children whilst you are using it.

► Older children may only use it if its operation has been clearly explained to them, and they are able to use it safely, recognising the dangers of incorrect use.

# Warning and Safety instructions

---

## Technical safety

▶ Before setting up the tumble dryer, check it for any externally visible damage.

Do not install or use a damaged tumble dryer.

▶ Before connecting the tumble dryer, ensure that the connection data on the data plate (voltage and connected load) match the mains electricity supply. If in any doubt, consult a qualified electrician.

▶ The electrical safety of this tumble dryer can only be guaranteed when continuity is complete between it and an effective earthing system which complies with current local and national safety regulations. It is most important that this basic safety requirement is present and regularly tested, and where there is any doubt the household wiring system should be inspected by a qualified electrician. Miele cannot be held liable for the consequences of an inadequate earthing system (e.g. electric shock).

▶ The heat pump technology in the tumble dryer uses a refrigerant which is condensed by a compressor and led in a closed circuit through the heat exchanger unit where heat exchange with the circulating drying air takes place.

It is normal for humming noises caused by the heat pump technology to be heard during the drying process. This does not impair the efficient functioning of the dryer.

- The refrigerant is not flammable or explosive.
- In general it is not necessary to leave the dryer standing for any length of time before it is connected to the mains provided it has been transported and installed correctly (see "Installation").

▶ Do not connect the tumble dryer to the mains electricity supply by an extension lead. Extension leads do not guarantee the required safety of the tumble dryer (e.g. danger of overheating).

▶ Unauthorised repairs could result in unforeseen dangers for the user, for which Miele cannot accept liability. Repairs should only be undertaken by a Miele approved service technician. Ensure current is not supplied to the tumble dryer until after maintenance or repair work has been carried out.

# Warning and Safety instructions

---

▶ Faulty components must only be replaced by genuine Miele original spare parts. Only when these parts are fitted can the safety standards of the tumble dryer be guaranteed.

▶ If the connection cable is faulty it must only be replaced by a Miele approved service technician to protect the user from danger.

▶ In the event of a fault or for cleaning purposes, the tumble dryer is only completely isolated from the electricity supply when:

- it is switched off at the wall socket and the plug is withdrawn, or
- it is switched off at the mains, or
- the mains fuse is disconnected, or the screw-out fuse is removed (in countries where this is applicable).

▶ This tumble dryer may only be used in mobile installations such as ships if a risk assessment of the installation has been carried out by a suitably qualified engineer.

▶ Do not make any alterations to the tumble dryer, unless authorised to do so by Miele.

▶ In countries where there are areas which may be subject to infestation by cockroaches or other vermin, pay particular attention to keeping the tumble dryer and its surroundings in a clean condition at all times. Any damage which may be caused by cockroaches or other vermin will not be covered by the guarantee.



# Warning and Safety instructions

---

## Correct use

► To prevent the risk of fire, the following textiles must not be dried in this tumble dryer:

- items which have not been washed.
- items, such as workwear, which have not been thoroughly cleaned and which are still soiled with grease, oil or other deposits (such as cosmetics, lotions etc).

If items have not been thoroughly cleaned there is a danger that these might ignite when heated, even after they have been removed from the dryer at the end of the programme.

- items which have been treated with inflammable cleaning agents or contain residues of acetone, alcohol, benzene, petrol, stain remover, turpentine, wax, wax remover or other chemicals (e.g. mops and floor cloths).
- items which have been splashed with hair lacquer, hair spray, nail varnish remover or similar substances.

When washing such heavily soiled items ensure that you use sufficient detergent and select a high temperature. If in doubt, wash the items several times.

► To prevent the risk of fire, the following must not be dried in this tumble dryer:

- fabrics which contain a large proportion of rubber, foam rubber or rubber-like materials. For example, products made from latex foam rubber, shower caps, waterproof textiles, rubberised articles and items of clothing and pillows with foam rubber filling.
- damaged items which contain padding or fillings (e.g. pillows, jackets). When damaged, the filling can get out with the risk of igniting in the dryer.

► In many programmes, the heating phase is followed by a cooling down phase to ensure that the items are not too hot to handle when you remove them (this also avoids the danger of the laundry self-igniting). The programme is not finished until the cooling down phase is complete.

Ensure that you always wait until the end of the programme before removing the laundry.

► **Warning:** Do not switch the tumble dryer off before the end of the drying programme. If this was done and the laundry was then removed immediately, it could give off a great amount of heat.

► Fabric conditioner and similar products must be used according to the instructions on the manufacturer's packaging.

# Warning and Safety instructions

---

▶ The tumble dryer must not be used:

- without the fluff filters in place or if the fluff filters are damaged in any way.
- without the fine filters in place or if the fine filters are damaged in any way.

This would cause an excessive build-up of fluff which in turn would cause a fault.

▶ After every cycle remove fluff from the surfaces of the fluff filters (see "Cleaning and Care").

▶ The fluff filters and the fine filter must be thoroughly dried after cleaning. Damp or wet filters could cause operational faults.

▶ Do not install the tumble dryer in a room where there is a risk of frost occurring. At temperatures around freezing point the tumble dryer may not be able to operate properly. There is a risk of damage if the condensed water is allowed to freeze in the pump and in the drain hose.

▶ If the water is drained externally through the drain hose instead of being collected in the condensed water container, make sure the drain hose is securely attached if you hang it in a sink or basin to avoid the hose slipping and the water causing damage.

▶ Condensed water is not drinking water.

It can cause health problems in both people and animals.

▶ Always keep the area around the tumble dryer free of dust and fluff. Dust drawn into the tumble dryer can cause blockages in the heat exchanger unit over time.

▶ Do not let anyone sit or lean on the door, as this can cause the tumble dryer to tip up.

▶ Always close the door after use. This way you will avoid the danger of:

- children climbing onto or into the dryer or hiding things in it.
- pets or other small animals climbing into it.

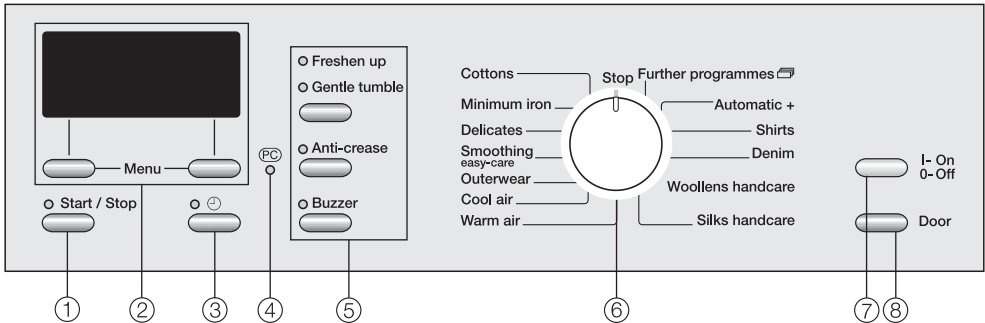
▶ The tumble dryer must not be hosed down.

## Accessories

▶ Only use genuine Miele spare parts and accessories with this tumble dryer. If non-Miele parts are used, guarantee, performance and product liability claims may be invalidated.

Miele cannot be held liable for damage caused by non-compliance with these Warning and Safety instructions.

## Control panel



### ① **Start/Stop button**

For starting a programme and cancelling a programme once it has started.

The indicator light flashes while a programme is being selected and then lights up constantly after it has started.

### ② **Display with Menu buttons**

See the next page for more information.

### ③ **⏪ button**

For selecting delay start and calling up the time of day in the display.

### ④ **PC / Optical interface**

This is used by service technicians to run diagnostic checks on your appliance and can also be used to update programming data in the future.

### ⑤ **Extra option buttons**

Various extra options can be added to the drying programmes.

### ⑥ **Programme selector**

The programme selector can be turned clockwise or anti-clockwise.

### ⑦ **I-On/0-Off button**

To switch the machine on or off or to interrupt a programme.

### ⑧ **Door button**

Pressing this button will open the door even when the appliance is switched off at the mains.

# Operating the tumble dryer

---

## Display

The display is used for the following:

### Selecting and displaying settings

- Selecting different drying levels (e.g. *Hand iron, Normal ...*) or the duration of the *Warm air* and *Cool air* programmes
- Selecting delay start
- Displaying the drying duration (Estimated time remaining)

### Note

All the display illustrations and times given in these instructions are examples, and can vary.

## Selecting programmes via the display

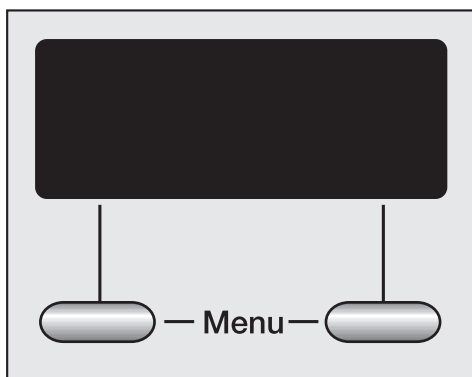
By turning the programme selector to *Further programmes*, you can select one of the following programmes:

- Standard pillows
- Large pillows
- Sportswear
- Basket programme\*

\* the Miele drying basket (optional accessory) must be used with this programme.

# Operating the tumble dryer

## Menu buttons



Various settings are made via the *Menu* buttons.

They are used to alter or confirm the value displayed above the vertical line.

To alter a setting:



Pressing the right or left hand *Menu* button selects the drying level.

To confirm a setting:



Pressing the left hand *Menu* button under **Continue** calls up further programmes, and you can then confirm your selection of the highlighted programme by pressing the right hand *Menu* button under **OK**.

## Programme duration / Estimated time remaining


When a programme is selected the estimated drying time will appear in the display. Please be aware that it is only an estimate!

The following factors all affect the estimated time remaining: residual moisture content after spinning; type of fabric; size of load; room temperature; fluctuations in power supply.

The electronics continually assess conditions in the tumble dryer and adjust the estimated time remaining for a more accurate reading. Because of this, the time displayed can alter during the course of a programme.

In the same way, some programmes can finish earlier than expected if a certain temperature is reached. This can happen with particularly fine fabrics, very small loads or if items were partly dry beforehand.

## Before using for the first time

 If the tumble dryer has not been transported as described in "Installation" then it must be left to stand for at least 1 hour before it is connected to the electricity supply.

When the tumble dryer is switched on for the first time, the welcome screen will appear.

The welcome screen will appear in the display every time you switch the dryer on until you have run a programme lasting longer than 1 hour.

The display for setting the language will then appear.

### Setting the language in the display

If the language showing in the display is the one you want, then confirm this with *OK*.

If you want to select a different language:



- Select the language you require by pressing the left hand *Menu* button under ►.
- Confirm your selection by pressing the right hand *Menu* button under *OK*.

It is possible to select another language at any time via the *Settings* menu.

### Setting the time (of day) \*

\* The time may already have been set at the factory. If it has, and is correct, you can skip this section.

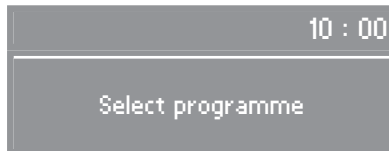
It is possible to alter the time at any stage via the *Settings* menu.



- Select the hours you want by pressing the left hand *Menu* button under **Change**, and confirm this with the right hand *Menu* button under **OK**.
- Then set and confirm the minutes.

### Entry menu

The entry menu showing the current time of day will appear after the tumble dryer has been switched on, until you select a programme.



- You can now load the laundry into the dryer and select a programme as described in "How to dry correctly".

## Garment care label symbols

Drying	
	Normal/low temperature. Drying is carried out at a low temperature in every programme, so you do not need to sort your garments according to whether they have the  or  symbol.
	Do not tumble dry.
Ironing	
	Very hot.
	Hot.
	Warm.
	Do not iron.

## Tips on drying

- Always observe the maximum recommended loads given in the "Programme chart". Never overload the drum.

Overloading can cause unnecessary wear and tear to the laundry, give a disappointing drying result and cause more creasing.

- Do not put soaking wet items into the tumble dryer. Spin fabrics for approx. 30 seconds before drying.
- Use the *Automatic+* programme for drying mixed loads of cottons and minimum iron fabrics.
- Open jackets so that they can dry evenly.
- Pure linen should only be tumble dried if specified as suitable by the

manufacturer on the care label, as the surface of the fabric may otherwise become rough.

- Loopknit garments (e.g. T-shirts and underwear) tend to shrink depending on their quality. Do not over-dry these textiles. When purchasing these garments it is advisable to take their shrinkage properties into account.
- Minimum iron fabrics tend to crease more, the larger the load. This is also the case for garments made from very fine weave fabrics, such as shirts or blouses.  
Make sure you select a suitable programme. If in doubt, reduce the load and select the *Gentle tumble extra* option or the *Smoothing easy care* programme.
- Use the *Basket programme* for drying / airing items which are not suitable for drying with mechanical action. Important: You must use the Miele drying basket (optional accessory).
- Starched laundry can be dried in the tumble dryer. To achieve the usual finish, double the amount of starch should be used.
- New dark coloured garments should be washed and dried separately from light coloured garments to avoid the danger of colours running and discolouring other garments or even plastic components in the dryer. Dark coloured fibres can also settle on light coloured garments and vice versa.

# How to dry correctly


## Brief instructions

The headings numbered (1, 2, 3 ...) show the operating sequence and can be used as a brief guide to using your dryer.

### 1 Sort the laundry

To ensure an even drying result separate out the washed laundry and sort it according to:

- ... the drying level required
- ... the type of fibre or weave
- ... size
- ... the moisture content after spinning.

 Make sure that objects e.g. detergent dispensing balls have been removed from the laundry. They could melt, and cause damage to the dryer or the laundry.

- Check seams and stitching to ensure that padding and linings are intact.
- Fasten duvet covers and pillow cases to prevent small items from being trapped inside them.
- Fasten hooks and eyes etc.
- Tie fabric belts and apron strings.
- Sew in or remove underwiring from bras.

### 2 Turn on the tumble dryer

- Switch the dryer on by pressing the *I-On/0-Off* button in.

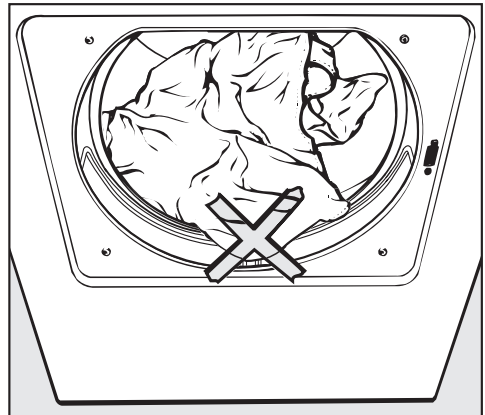
The tumble dryer may be switched on after loading, saving energy as the light will not come on.

### 3 Load the tumble dryer

- Press the *Door* button to open the door.
- Load the laundry loosely into the drum.

Do not overload the drum. See the "Programme chart" for recommended loads for each programme. Overloading can cause unnecessary wear and tear to the laundry and give a disappointing drying result.

- Before closing the door make sure the fluff filter is correctly positioned.

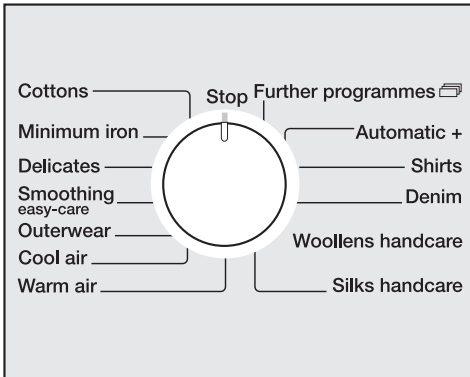


Check the laundry is right inside the drum so that it cannot get trapped or damaged when the door is shut.

- Shut the door either with a gentle swing, or lean against it and push it shut.



## 4 Select a programme



- Select the programme you want.

The programme name will appear in the display.

### Drying levels programmes

- *Cottons, Minimum iron, Delicates, Outdoor, Automatic+, Shirts, Denim*



- Press the left or right hand *Menu* button repeatedly until the drying level you want appears in the display.

You can select different drying levels for individual programmes.

Important: Please note that the programme duration shown in the display will vary according to the programme selected (see "Programme duration/Estimated time remaining").

### With the following programmes

- *Smoothing, Woollens handcare, Silks handcare*, the duration cannot be changed.

## Further programmes



- Press the left hand *Menu* button under **Continue** repeatedly until the programme you want appears.
- Confirm your selection of the programme by pressing the right hand *Menu* button under **OK**.
  - *Standard pillows, Large pillows*: cannot be altered.
  - *Sportswear*: Select a drying level as described previously.
  - *Basket programme*: see below.

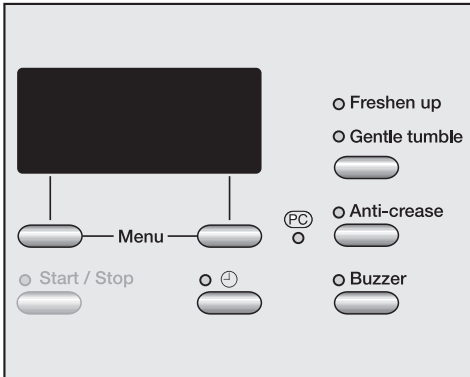
### Select the duration of a timed drying programme



- Press the *Menu* buttons under **Increase** or **Decrease** to lengthen or shorten the duration of the timed drying programmes.
    - *Cool air*: 20 min - 1 h
    - *Warm air*: 20 min - 2 h
    - *Basket programme\**: 40 min - 2:30 h
- \* the Miele drying basket (optional accessory) must be used with this programme.

# How to dry correctly

## 5 Select any Extra options / Delay start



- Select any extra options or delay start by pressing the appropriate button (see "Extra options" and "Delay start" for more details).

## 6 Start the programme

The indicator light for the *Start/Stop* button will flash when a programme is being selected. The flashing indicates that a programme can be started.

- Press the *Start/Stop* button.

The indicator light for the *Start/Stop* button will now light up constantly.

*Drying* will appear in the display and the time remaining will start counting down.

With programmes with drying levels, e.g. *Machine iron*, *Hand iron* etc. the drying level reached will be shown in the display later on.

## Before the end of a programme

There is a cooling down phase at the end of the drying sequence: *Cooling down* will appear in the display. The programme is not finished until the cooling down phase has been completed.

## 7 Remove the laundry when the programme has finished

*Anti-crease* (if selected) and *Finished* will appear in the display to indicate that the programme has finished. The buzzer (if selected) will sound at intervals.

There is no anti-crease phase at the end of the the *Woollens handcare* programme.

The dryer has a standby mode: After the programme has finished, the display will go out and the indicator light for the *Start/Stop* button will start to flash slowly (see also "Settings menu - Standby display" at the end of this booklet).

If the Anti-crease function has been selected, the drum will rotate at intervals to prevent laundry creasing. In this instance, the display going dark and the drum only rotating at intervals (standby mode) do not indicate a fault with the dryer.

- Press the *Door* button to open the drum door.
- Remove the laundry.

Check that all items have been removed from the drum. If items are left in the dryer, they could be damaged by overdrying when the dryer is next used.

If the dryer is switched on at the mains and the door is opened, the drum lighting will come on. It will go out a few minutes later to save energy.

- Switch the dryer off by pressing the *I-On/O-Off* button.
- Clean the fluff filters in the door and the door opening.
- Close the door.
- Empty the condensed water container (unless the dryer has been connected for external drainage).

## Extra options

---



Each press of the *Freshen up / Gentle tumble* button selects the extra option (the appropriate indicator light will come on) and deselects the previous option or no option is selected. It is not possible to select the *Freshen up* and *Gentle tumble* options at the same time.

Not all of the extra options are suitable for use with every programme (see the programme chart).

### Freshen up

The drying air is heated up for a specific length of time. After this the garments are aired to the *Normal* drying level without any more heat being added.

Use the *Freshen up* extra option to eliminate or reduce unwanted smells in clean clothing. Items must be suitable for drying in a tumble dryer. Dampen the garments a little beforehand or add a fabric conditioner sheet. Odours will not be removed as effectively from any parts of the garments which are made of synthetic fibres.

### Gentle tumble

For drying items which can be dried in a tumble dryer but which are particularly susceptible to creasing or which are not suitable for drying with a great deal of mechanical action. When this option is selected, the drum will rotate less frequently.

The programme duration is longer.

The drying level can still be changed, if wished.

### Anti-crease

After the programme has finished, the drum will rotate in a special rhythm depending on the programme selected.

This "anti-crease rhythm" helps prevent laundry creasing, if you do not wish to remove it immediately.

### Buzzer

A buzzer sounds (at intervals for a maximum of 1 hr) to let you know the programme has finished.

You can change the volume of the buzzer. See "Settings menu".

The buzzer will always sound when there is a fault, even if it has been switched off.

With delay start you can choose when you want the programme to end. The start of a programme can be delayed from 30 minutes up to a maximum of 24 hours,

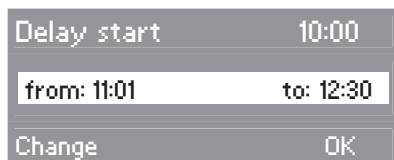
## To select delay start

- 1 Select the programme you want and then press the ⊖ button.

The indicator light for the ⊖ button will light up.



The display shows the start time (*from*), the time for the end of the programme (*to*) and the current time of day.



- 2 Use the left hand *Menu* button under **Change** to select the time you want the programme to end at.

The first press on the button will adjust the programme end time to the next half or full hour. Each subsequent press on the button will delay the programme end time by 30 minutes.

- 3 Confirm the time you require by pressing the right hand *Menu* button under **OK**.

## To begin delay start

- 4 Press the *Start/Stop* button.



The delay start time will now count down in minutes until the start of the programme. The drum will turn briefly every hour to help prevent creasing.

## To add laundry after the delay start time has started counting down

- Open the door and add the laundry.
- Close the door and press the *Start/Stop* button. The delay start time will continue to count down.

## To change programme parameters

- It is possible to change the drying level or the extra options selected after the delay start time has begun to count down.

You can also change the programme end time once the delay start time has begun to count down if you wish:

- Press the ⊖ button.
- Use the left hand *Menu* button under **Change** to alter the time you want the programme to end at.
- Confirm by pressing the right hand *Menu* button under **OK**.

## To cancel delay start

- Press the ⊖ button.
- Confirm by pressing the right hand *Menu* button under **Delete**.
- To start the programme: Press the *Start/Stop* button.

# Programme chart

<b>Cottons</b>		<b>Max. load 6 kg*</b>
<b>Extra dry, Normal+, Normal**</b>		
Fabric type	Single and multi-layered cotton fabrics such as towelling, jerseywear, T-shirts, underwear.	
Notes	<ul style="list-style-type: none"> <li>– Select <i>Extra dry</i> for multi-layered and very thick fabrics.</li> <li>– Do not use <i>Extra dry</i> for jersey fabrics (e.g. T-shirts, underwear, baby clothes), as they have a tendency to shrink.</li> </ul>	
Extra options	Gentle tumble or Freshen up, Anti-crease, Buzzer	
<b>Hand iron <math>\Delta</math>, Hand iron <math>\Delta\Delta</math>**, Machine iron</b>		
Fabric type	Cottons or linen fabrics, e.g.: table linen, bed linen, starched laundry.	
Note	To prevent laundry from drying out, it should be rolled up until you are ready for ironing.	
Extra options	Gentle tumble or Freshen up, Anti-crease, Buzzer	
<b>Minimum iron</b>		<b>Max. load 3 kg*</b>
<b>Normal+, Normal**, Hand iron <math>\Delta</math></b>		
Fabric type	Minimum iron items made of cotton, synthetic or mixed fibre, e.g.: dresses, trousers, skirts and table cloths.	
Extra options	Gentle tumble or Freshen up, Anti-crease, Buzzer	

\* Weight of dry laundry

\*\* Note for test institutes:

Use this programme without selecting any Extra options for testing according to EN 61121 standard.

## Programme chart

<b>Delicates</b>		<b>Max. load 2.5 kg*</b>
<b>Normal+, Normal, Hand iron Δ, Hand iron ΔΔ</b>		
Fabric type	Delicate items made of cotton, synthetic or blended fabrics, e.g.: jumpers, skirts, trousers, table cloths, shirts, blouses and evening wear with sequins and beading.	
Note	Laundry remains relatively crease-free for easier ironing.	
Extra options	Anti-crease, Buzzer	
<b>Smoothing easy care</b>		<b>Max. load 3 kg*</b>
Fabric type	<ul style="list-style-type: none"> <li>– Cotton and linen fabrics.</li> <li>– Minimum iron items made of mixed fibres, cottons or synthetics, e.g.: trousers, anoraks, shirts.</li> </ul>	
Notes	<ul style="list-style-type: none"> <li>– Smooths out creasing caused during the spin cycle in the washing machine.</li> <li>– Remove garments as soon as the programme has finished so that they are easy to iron.</li> </ul>	
Extra options	Anti-crease, Buzzer	
<b>Outerwear</b>		<b>Max. load 2.5 kg*</b>
<b>Normal, Hand iron Δ</b>		
Fabric type	Outerwear which is suitable for drying in a tumble dryer.	
Extra options	Anti-crease, Buzzer	
<b>Warm air</b>		<b>Max. load 6 kg*</b>
Fabric type	<ul style="list-style-type: none"> <li>– "Voluminous" and multi-layered fabrics whose layers have different drying characteristics, e.g. jackets.</li> <li>– For drying individual items, e.g. bath towels, swimwear, tea-towels and small loads.</li> </ul>	
Note	– Do not select the longest drying time to start with. Check the items as you are drying them to find the optimum time.	
Extra options	Gentle tumble, Anti-crease, Buzzer	

\* Weight of dry laundry

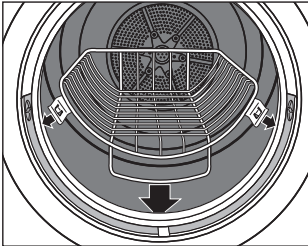
# Programme chart

<b>Cool air</b>		<b>Max. load 6 kg*</b>
Fabric type	Any item which only needs airing.	
Extra options	Anti-crease, Buzzer	
<b>Automatic+</b>		<b>Max. load 4.5 kg*</b>
<b>Normal+, Normal, Hand iron <math>\Delta</math></b>		
Fabric type	Mixed loads of garments suitable for the <i>Cottons</i> and <i>Minimum iron</i> programmes. Sort according to colour.	
Extra options	Anti-crease, Buzzer	
<b>Shirts</b>		<b>Max. load 2 kg*</b>
<b>Normal+, Normal, Hand iron <math>\Delta</math></b>		
Fabric type	Shirts and blouses.	
Extra options	Gentle tumble or Freshen up, Anti-crease, Buzzer	
<b>Denim</b>		<b>Max. load 3 kg*</b>
<b>Normal, Hand iron <math>\Delta</math></b>		
Fabric type	Denim garments, e.g. jeans, jackets, skirts, shirts.	
Extra options	Gentle tumble or Freshen up, Anti-crease, Buzzer	
<b>Woollens handcare</b>		<b>Max. load 2 kg*</b>
Fabric type	Woollen fabrics. Fabrics containing wool blends.	
Note	<ul style="list-style-type: none"> <li>– Woollen garments are fluffed up.</li> <li>– Remove garments immediately at the end of the programme.</li> </ul>	
Extra option	Buzzer	
<b>Silks handcare</b>		<b>Max. load 1 kg*</b>
Fabric type	Silks (which are suitable for drying in a tumble dryer) e.g. blouses and shirts.	
Notes	<ul style="list-style-type: none"> <li>– Smooths out creasing.</li> <li>– Remove garments immediately at the end of the programme.</li> </ul>	
Extra options	Anti-crease, Buzzer	

\* Weight of dry laundry



## Programme chart

<b>Standard pillows</b>		<b>1-2 pillows up to 80 x 40 cm</b>
<b>Large pillows</b>		<b>1 pillow up to 80 x 80 cm</b>
Fabric type	Pillows suitable for drying in a tumble dryer, with feather, down or synthetic fillings.	
Note	Please observe the instructions on the care label. Pillows can still feel damp after being dried. You can use this programme several times until the pillow feels dry.	
Extra options	Anti-crease, Buzzer	
<b>Sportswear</b>		<b>Max. load 3 kg*</b>
<b>Normal+, Normal, Hand iron <math>\Delta</math></b>		
Fabric type	Sportswear which is suitable for drying in a tumble dryer.	
Extra options	Gentle tumble, Anti-crease, Buzzer	
<b>Basket programme</b>		<b>Max. load for basket: 3 kg</b>
Note	<ul style="list-style-type: none"> <li>– The drum does not rotate in this programme. For this reason, airing and drying may only be carried out if the Miele drying basket (optional accessory) is fitted in the drum.</li> <li>– Use this programme to dry items which are suitable for drying in a tumble dryer but which are not suitable for drying using mechanical action.</li> <li>– A satisfactory drying result cannot be achieved without the drying basket.</li> <li>– It is essential to observe the operating instructions for the drying basket.</li> </ul>	
Fabric type/items	– See the operating instructions supplied with the drying basket.	
Extra option	Buzzer	

\* Weight of dry laundry

# Changing the programme sequence

---

## Once a programme has started

### - changing the programme

You cannot change to another programme once a programme has started (this prevents unintentional alterations).

If an attempt is made to change a selection: *Option not possible* will appear in the display.

It is still possible to select or deselect the *Anti-crease* and *Buzzer extra* options.

You will need to cancel the current programme before you can select a new one.

### - cancelling the programme and then selecting a different programme

- Press the *Start/Stop* button.

*Cancel programme* will appear in the display.

- Confirm by pressing the right hand *Menu* button under **OK**.

The items will be cooled down, depending on the temperature reached and how long they have been dried for.

If you press the *Start/Stop* button during the cooling down phase and confirm by pressing the right hand *Menu* button under **OK**, *Finished* will appear in the display.

- Switch the dryer off.
- Switch the dryer back on again.
- Select another programme and start it.

Note: A programme can also be cancelled by turning the programme selector to *Stop*.

### - cancelling the programme and then removing the laundry

- Proceed as described in "Adding or removing laundry after a programme has started" below.
- Switch the dryer off after closing the door.

### Adding or removing laundry after a programme has started

- Press the *Door* button.
- Open the door.
- Add or remove items as required.
- Close the door.
- Press the *Start/Stop* button.

### Time remaining

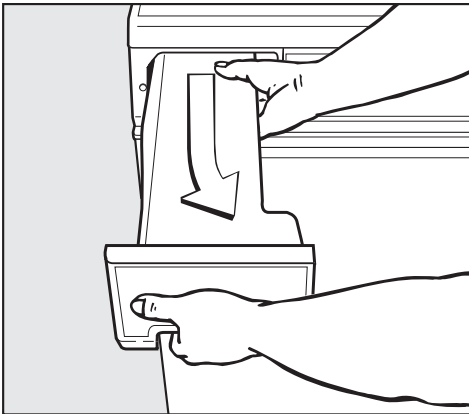
The time left shown in the display may now vary from the actual drying time.

## Emptying the condensed water container

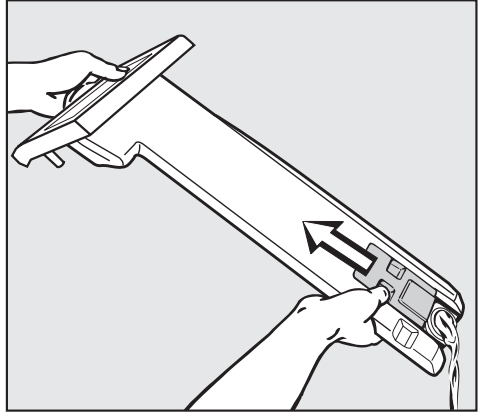
The condensed water will be collected in the condensed water container unless the appliance has been set up to drain via the drain hose (see installation).

Empty the condensed water container after every drying programme.

The drying programme will be interrupted if the maximum level of the condensed water container is reached. A message will appear in the display.



- Holding the container firmly in both hands, as shown, pull it out slightly towards the right-hand side.
- Hold the container in a horizontal position when carrying it.



- Open the shutter and empty out the water.
- To replace the container, hold it at a slight angle (as when removing it) and push it in gently until you feel it click into position.
- To remove the message from the display, switch the dryer off and then on again.

Condensed water should not be consumed. It could lead to health problems for people and animals.

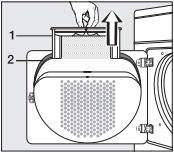
Condensed water can be put to household use (e.g. used in a steam iron or humidifier). To ensure that any residual particles of fluff in the condensed water are removed before use, pass it through a fine sieve or paper filter first.

# Cleaning and care

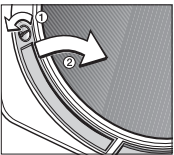
This tumble dryer has a multi-stage filter system, consisting of **fluff filters and additional fine filters in the door and the door opening**. There is also a fine filter in front of the heat exchanger for added protection.

## Make sure you clean all the filters at the correct intervals

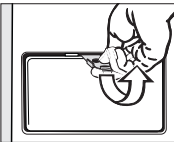
The filters are located in the following three positions:




1. In the door.



2. In the door opening.



3. In front of the heat exchanger unit.

 The dryer must not be used without the fluff filters or fine filters in place or if the fluff filters/fine filters are damaged in any way. This would cause an excessive build-up of fluff which in turn would cause a fault.

## When to clean the surfaces of the fluff filters

The surfaces of the fluff filters:

1. in the door,
  2. in the door opening
- should be cleaned after each drying programme.

See "Cleaning the surfaces of the fluff filters".

## When to clean the additional fine filters

The additional fine filters do not need to be cleaned after each drying programme. They should only be cleaned when the prompt\* to do so appears in the display. See "Cleaning the fine filters".

\* When Clean door filter appears:

1. Clean the fine filter in the door.
2. Clean the fine filters in the door opening.

\* When Clean plinth filter appears:

3. Clean the fine filter in front of the heat exchanger unit.

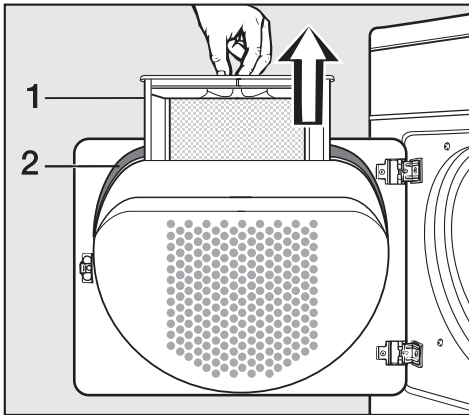
## Cleaning the surfaces of the fluff filters

Hair and fluff on garments are collected by the fluff filters in the door and the door opening.

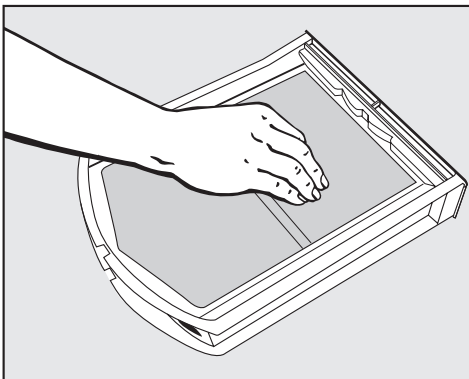
Tip: You can use a vacuum cleaner to remove the fluff.

Clean the surfaces of the fluff filters in the door and the door opening after each drying programme.

### 1. In the door.



- Open the door and pull the fluff filter (1) out of the door as illustrated.

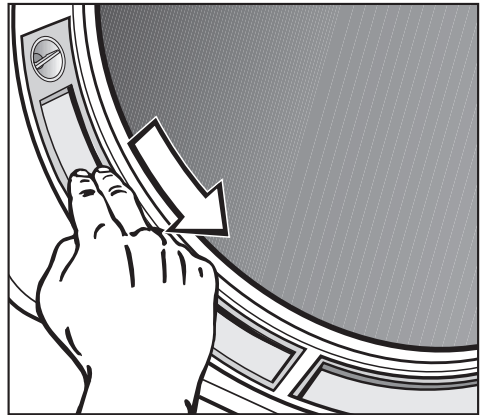


- Use your fingers or a vacuum cleaner to remove the fluff from the surface of the filter.

### Extra cleaning

- Remove any fluff from the hollow part of the door with a bottle brush or a vacuum cleaner.
- Also clean the door seal (2) with a damp cloth.
- Push the filter back into the door until it clicks into position. Ensure it is facing the correct way.

### 2. In the door opening.



- Use your fingers or a vacuum cleaner to remove the fluff from the two fluff filters in the door opening.
- Close the door.

# Cleaning and care

## Cleaning the fine filters


The additional fine filters collect finer fluff, hair and detergent residues which have got through the surfaces of the fluff filters in the door and the door opening.


The additional fine filters

- do **not** need to be cleaned after each drying programme. They should only be cleaned when the prompt\* to do so appears in the display.

\* See "Make sure you clean all the filters at the correct intervals".

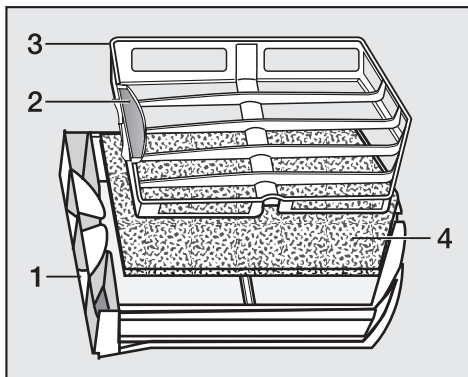
- must be cleaned under running water.

 The fine filters must not be replaced in the dryer dripping wet. Squeeze them thoroughly. If the fluff filters in the door and the door opening have also been cleaned under running water, they must be dried. Otherwise they could cause operational faults.

 Always replace the fine filters if they are damaged (Miele optional accessory, available to order).

## 1. Cleaning the fine filter in the door

Components of the fluff filter in the door



1 Fluff filter

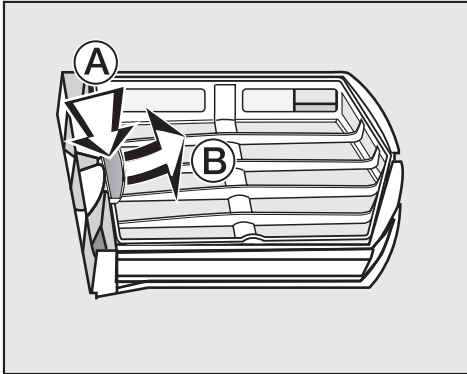
2 Fine filter frame holder

3 Fine filter frame

4 Fine filter

- Open the door and pull the fluff filter out of the door as described previously.
- Remove the fine filter (4) as described on the following pages.

## Removing

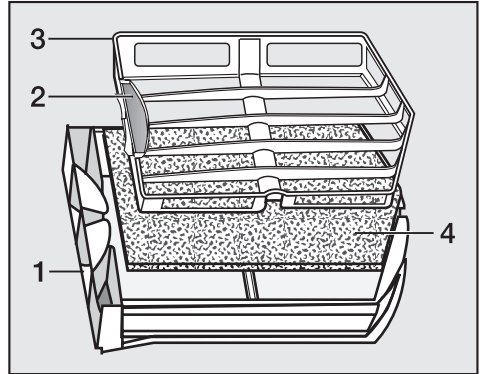


- Place the fluff filter (1) on a flat surface.
- Ⓐ Press holder (2) on the filter frame gently inwards until the filter frame disengages from the fluff filter.
- Ⓑ Pull filter frame (3) out of the fluff filter by the holder.
- Remove the fine filter (4).

## Cleaning

- Clean the fine filter thoroughly under running water.
- Then squeeze the fine filter thoroughly.
- Clean the fine filter frame, if necessary.
- The surface of the fluff filter must also be cleaned under running water if there is a great deal of compacted fluff on it.
- Dry the fluff filter and the filter frame.

## Replacing

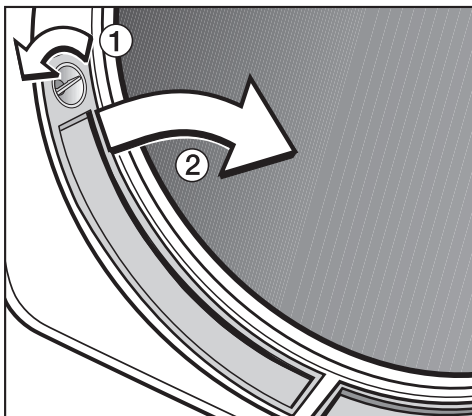


- Place the fluff filter (1) on a flat surface.
- Place the fine filter (4) exactly in the middle of the hollow area in the fluff filter.
- Place the fine filter frame (3) on the fine filter - the handle (2) must face upwards.
- Press the fine filter frame at the top and bottom until you feel it click into position in the fluff filter.
- Push the filter back into the door until it clicks into position. Ensure it is facing the correct way.

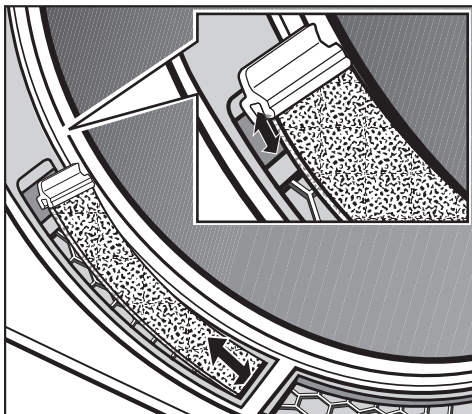
# Cleaning and care

## 2. Cleaning the fine filters in the door opening.

### Removing



- Turn dial ① until you feel it click.
- Pull the filter out of the door opening by the dial as shown ②. Do the same on the other side.



- Grasp the fine filter by its holder and pull the fine filter upwards.

### Cleaning

- Clean both fine filters thoroughly under running water.
- Then squeeze the fine filters thoroughly.
- The surface of the fluff filters in the door opening must also be cleaned under running water if there is a great deal of compacted fluff on them.
- Dry both fluff filters.
- If necessary, clean the hollow area in the door opening (underneath the fluff filters) with a vacuum cleaner.

### Replacing the fine filters (bottom picture)

- Insert the holder of the fine filter with its groove on top of the ridge (see detail).
- Insert the bottom end of the fine filter under the edge.

Both fine filters must lie flush in the middle of the hollow area.

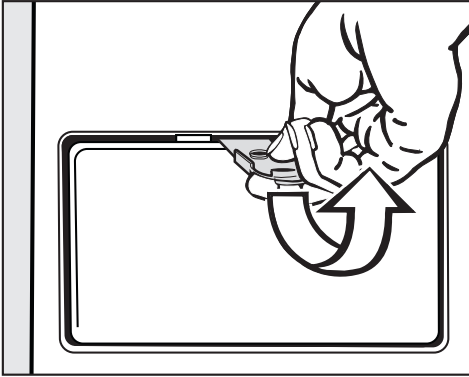
### Replacing the fluff filters (top picture)

- Replace the fluff filters by inserting them at the bottom and pressing them into place at the top.
- Lock both dials (you will feel them click into position).

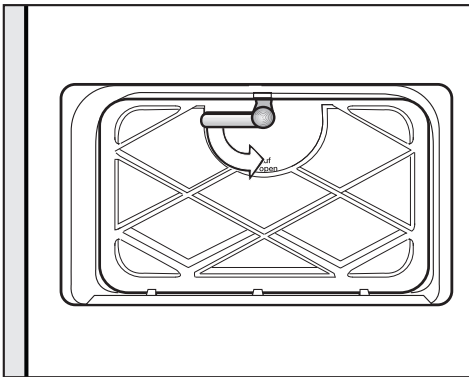


## 3. Cleaning the fine filter in front of the heat exchanger unit

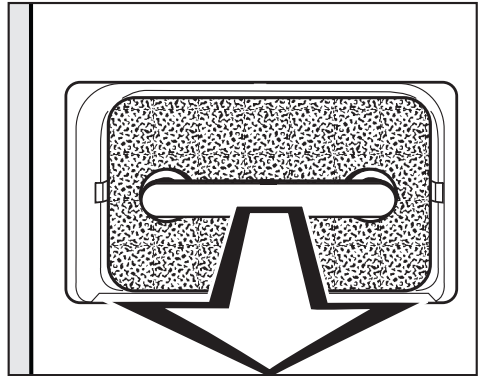
### Removing



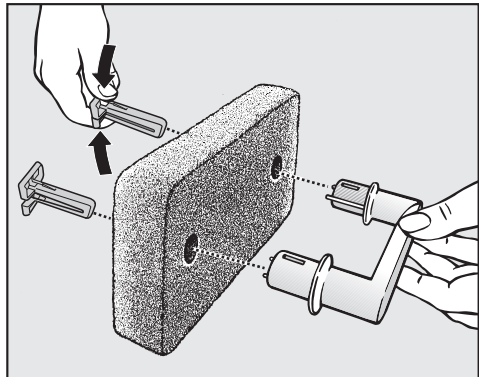
- Use the yellow opener to open the service panel at the bottom left of the front of the tumble dryer.
- Now remove the panel by pulling it diagonally upwards.
- Then place it to one side.



- Turn the lever on the inner cover downwards to the vertical position.
- Pull the cover forwards.
- Remove it by pulling it diagonally upwards.



- Pull the fine filter out by the handle.



- Press the stoppers gently together and then pull them out of the handle.
- Pull the handle out of the fine filter.

### Cleaning

- Clean the fine filter thoroughly under running water.
- Then squeeze the fine filter thoroughly.

# Cleaning and care


---

## Replacing

- Insert the fine filter on the handle.
- Press the stoppers into the openings of the handle (until you feel them click into position).
- Push the fine filter back into the opening in front of the heat exchanger unit.

When replacing the inner cover, ensure that the rubber seal fits correctly into the groove.

- Replace the cover making sure the hooks locate correctly. Hold it at an angle and push it gently downwards.
- Then turn the lever upwards into the horizontal position to lock the cover.
- Replace the service panel and press the upper edge until it clicks into position.

 The cover must be replaced and locked correctly to ensure that no water can leak from the heat exchanger unit.

## Cleaning the tumble dryer

Disconnect the dryer from the mains electricity supply.


- Clean the housing, control panel and door seal with a slightly damp cloth and a mild detergent or soapy water.
- The drum and other stainless steel parts can be cleaned with a suitable proprietary stainless steel cleaner following the manufacturer's instructions.

**Do not** use solvents, abrasive cleaners, glass cleaners or all-purpose cleaners. These could damage plastic surfaces and other parts.

- Dry all parts with a soft cloth.

## Problem solving guide

With the help of the following notes, minor faults in the performance of the appliance, some of which may result from incorrect operation, can be put right without contacting the Service Department.

 Repair work to electrical appliances should only be carried out by a suitably qualified person in strict accordance with current local and national safety regulations. Repairs and other work by unqualified persons could be dangerous. The manufacturer cannot be held liable for unauthorised work.

### Check and fault messages in the display

Problem	Possible cause	Remedy
<b>You are asked to enter a code.</b>	Access via a code has been activated.	Enter the code (see "Settings menu").
<b>Adjust the load</b> <b>The programme is cancelled, the buzzer sounds.</b>	This is not a fault. In some programmes, if the drum has been overloaded or underloaded, the programme will be cancelled. This can also happen if the items are already dry.	Use the Warm air programme (timed drying) to dry individual items. – Switch the dryer off and then on again. – Open and shut the door.
<b>Empty the container</b> <b>The programme is cancelled, the buzzer sounds.</b>	The condensed water container is full or there is a kink in the drain hose.	– Empty out the condensed water container or check the drain hose. – Switch the dryer off and then on again.

## Problem solving guide

Problem	Possible cause	Remedy
<p>Clean door filter <b>appears at the end of a programme.</b></p>	<p>This is a reminder to clean the fine filters in the door and the door opening under running water.</p>	<ul style="list-style-type: none"> <li>– Clean the fine filters. See "Cleaning and care".</li> </ul> <p>To delete the message:</p> <ul style="list-style-type: none"> <li>– With the appliance switched on open and then close the door. (If the appliance is switched off the message will not go away).</li> </ul>
<p>Clean plinth filter <b>appears at the end of a programme.</b></p>	<p>This is a reminder to clean the fine filter in front of the heat exchanger unit under running water.</p>	<ul style="list-style-type: none"> <li>– Clean the fine filter. See "Cleaning and care".</li> </ul> <p>To delete the message:</p> <ul style="list-style-type: none"> <li>– Select <i>OK</i>.</li> </ul>
<p><b>A prompt which has not been described previously appears in the display.</b></p>	<p>A programme cannot be started while there is a fault message in the display.</p>	<ul style="list-style-type: none"> <li>– Make a note of what is shown in the display.</li> <li>– Switch the dryer off and then on again.</li> <li>– If a programme still cannot be started: call the Service Department.</li> </ul>

<b>An unsatisfactory drying result</b>		
<b>Problem</b>	<b>Possible cause</b>	<b>Remedy</b>
<b>The laundry is not sufficiently dry.</b>	The load consisted of different fabrics.	<ul style="list-style-type: none"> <li>– Finish drying using the Warm air programme.</li> <li>– Select a different programme next time*.</li> </ul>
<b>Feather filled pillows smell after drying.</b>	Feathers are a natural product and this is quite normal.	The smell will dissipate after sufficient airing.
<b>Items made of synthetic fibres are charged with static electricity after drying.</b>	Synthetic fibres tend to attract static charge.	Static charge can be reduced by adding a fabric conditioner to the final rinse in the washing programme or a fabric conditioner sheet to the load when drying.
<b>There is a build-up of fluff.</b>	Fluff is principally the result of friction when garments are being worn and to some extent when they are being washed. Machine drying hardly causes any fluff to form and has no appreciable effect on the lifetime of the fabric.	Fluff is collected by the fluff filters and can be removed easily (see "Cleaning and care").

\* You can alter the drying levels for some programmes (see "Settings menu").

# Problem solving guide

Other problems		
Problem	Possible cause	Remedy
<b>The drying process goes on too long or even switches off.</b>	Please check all the possible causes and switch the dryer off and then back on again.	
	Ventilation to and from the dryer may be insufficient (e.g. because it is installed in a small room). This has caused the temperature in the room to rise sharply.	Open a door or window while the dryer is in operation for increased air flow.
	The fluff filters and fine filters are clogged with fluff, detergent residues or hair.	<ul style="list-style-type: none"> <li>– Remove any fluff, hair or residual detergents:                . . . from the fluff filters in the door and the door opening.</li> <li>. . . from the fine filters in front of the heat exchanger unit.</li> <li>– Clean the fluff filters and, if necessary, the fine filters.</li> </ul>
	The fluff filters and the fine filters were still wet when they were replaced.	The fluff filters and fine filters must be dry.
	The laundry has not been spun sufficiently.	Make sure that your laundry is thoroughly spun at the appropriate spin speed in the washing machine.
	The tumble dryer has been overloaded.	Do not exceed the maximum load for the programme selected.
	Metallic components, e.g. zips have prevented the dryer from registering the correct moisture level in the laundry.	<ul style="list-style-type: none"> <li>– Open zips next time.</li> </ul> If the problem occurs again, dry garments with long zips using the <i>Warm air</i> programme (timed drying).

## Problem solving guide

Problem	Possible cause	Remedy
<b>There are humming noises.</b>	The compressor is operating.	These noises are quite normal and do not indicate a fault.
<b>The display is dark. The programme selector is not lit up. The <i>Start/Stop</i> button light flashes slowly.</b>	The display has switched off automatically to save energy (Standby mode). The programme selector lighting goes out when <i>Settings</i>  is selected.	The display will light up when one of the buttons is pressed.
<b>The <i>Start/Stop</i> button light flashes/does not flash.</b>	The flashing indicates that a programme can be started.	After the programme has started, the flashing will change to a constant light.
<b>The programme does not start.</b>	No obvious cause.	<ul style="list-style-type: none"> <li>– Is the dryer switched on?</li> <li>– Is the plug correctly inserted into the socket and switched on?</li> <li>– Is the door closed properly?</li> <li>– Has the fuse or circuit breaker tripped?</li> </ul>
<b>The display is in a different language.</b>	A different language has been selected.	Set the language you want. The <b>flag symbol</b>  will guide you.
<b>Power cut.</b>	A programme which was running previously will continue automatically when power is restored to the tumble dryer as long as the Cooling down phase had not been reached.	
<b>The interior drum lighting does not come on.</b>	The lighting switches off automatically (to save energy).	<ul style="list-style-type: none"> <li>– Switch the dryer off and then on again.</li> <li>– If the lamp needs to be replaced, follow the instructions in "Changing the lamp" at the end of this section.</li> </ul>

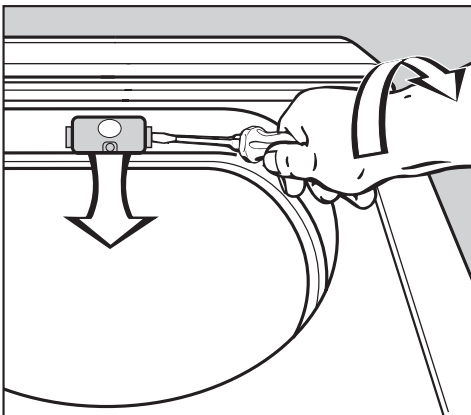
## Problem solving guide

### Changing the lamp

Disconnect the tumble dryer from the mains electricity supply.

- Open the door.

You will find the interior lamp cover at the top of the drum aperture.



- Insert a suitable tool, such as a wide bladed screwdriver, under the side edge of the lamp cover as illustrated.
- Apply a little pressure and whilst doing so turn your wrist in the direction of the arrow to open the cover.

The cover will open downwards.

The temperature resistant lamp should only be ordered from your Miele Dealer or the Miele Spare Parts Department.

The lamp specification and maximum wattage is stated on the data plate and on the lamp cover.

- Replace the lamp.
- To close the cover push it upwards and press it on the left and right until you hear it click into position.

⚠ Ensure that it is fitted into position securely, as any moisture could cause a short circuit.

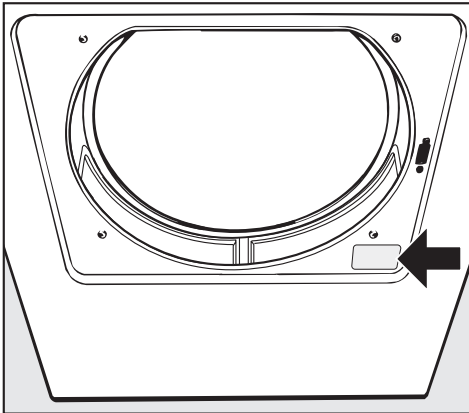


### Repairs

In the event of any faults which you cannot remedy yourself, please contact

- your Miele dealer or
- the Miele Service Department (see back cover for contact details).

When contacting your dealer or the Service Department, please quote the model and serial number of your appliance, both of which are shown on the data plate situated on the right hand side below the drum aperture.



N.B. A call-out charge will be applied for service visits where the problem could have been rectified as described in these instructions.

### Future updates (PC)

The indicator or check light marked **PC** on the fascia panel is the interface used by the Miele service technicians during service work for testing purposes and for updating the appliance's programme data.

### Appliance guarantee

Please see the guarantee card supplied with your appliance.

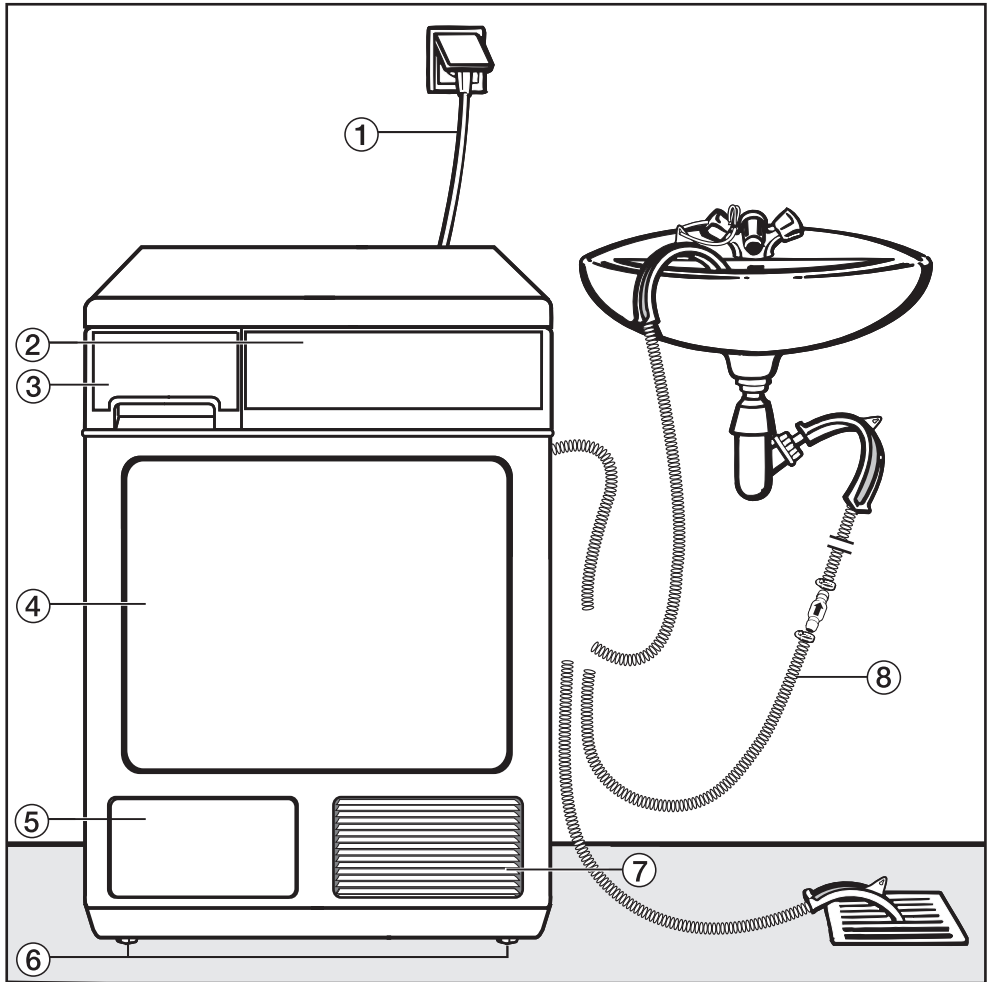
### Optional accessories

Optional accessories for this dryer are available from your Miele Dealer, the Miele Spare Parts Department or via the internet at [www.miele-shop.com](http://www.miele-shop.com).

Please note that telephone calls may be monitored and recorded for training purposes.

# Installation

## Front view



① Mains connection cable

② Control panel

③ Condensed water container

④ Door

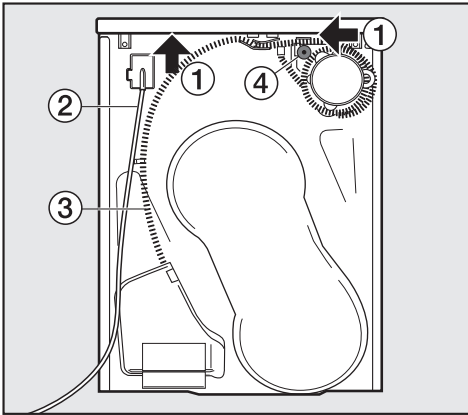
⑤ Service panel for heat exchanger unit (for cleaning or replacing the fine filter)

⑥ Four height adjustable screw feet

⑦ Cool air intake panel

⑧ External drainage of condensed water hose (see "External condensed water outlet")


## Rear view




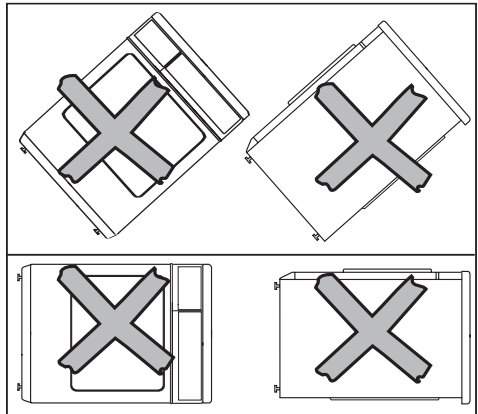
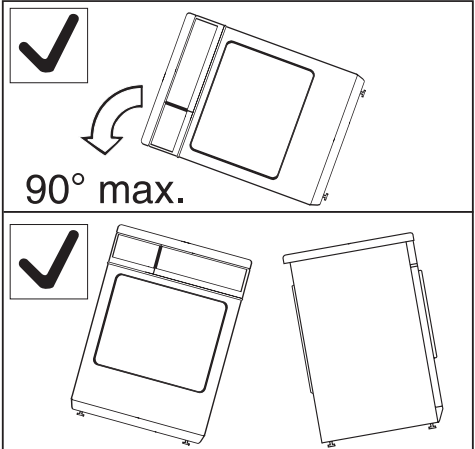
- ① Protruding lid for holding when moving the dryer (see arrows)
- ② Mains connection cable
- ③ Hose for external drainage of condensed water
- ④ Accessories for connection to a sink drain outlet


## Transporting the dryer

When moving the dryer, hold it by the lid where it protrudes to the rear. To manoeuvre the dryer out of its packing case to its installation site you will also need to hold it by the front feet.

 Only transport the dryer as shown in the following illustrations.

 If transporting the dryer at an angle, only tip it towards its left side.




 If the tumble dryer has not been transported as described, then it must be left to stand for at least 1 hour before it is connected to the electricity supply. Otherwise the heat pump can be damaged.


# Installation

## Before moving the tumble dryer again (e.g. when moving house)


After each use a small quantity of condensed water will collect in the area around the pump. This water can run out if the tumble dryer is tipped up when it is being moved. It is a good idea to run the *Cool air* programme for approximately 1 minute before moving it. Any remaining condensed water will then be fed into the condensed water container or out through the drain hose.

## Installation site

 Make sure the dryer door can be opened without hindrance after installation.

 The cool air intake panel at the front of the dryer must not be blocked or covered, e.g. by a laundry basket, as this would cause a fault.


## Building under a continuous worktop/ in a row of kitchen units


 It is very important to avoid a build-up of heat. The warm air which is expelled from the rear of the dryer must be able to dissipate. Warm air which cannot dissipate could cause a fault.

A build-up of heat can be avoided by:

- Adjusting the screw feet so that there is a gap of at least 20 mm between the floor and the bottom of the dryer.
- Creating a gap for the dryer in the kitchen furniture plinth facing.
- Creating ventilation gaps in the kitchen unit.

N.B. When built under, drying times may be longer.

 The dryer should not be installed next to a refrigeration appliance. The warm air expelled from the rear of the dryer would increase the temperature around the refrigeration appliance's heat exchanger causing the compressor to run continuously. If it is not possible to install the dryer anywhere else, then the refrigeration appliance must be sealed off from the dryer.

 A **building-under kit** (Miele accessory, available to order) with a coverplate to replace the appliance's lid is required. It must be fitted by a suitably qualified person to ensure electrical safety.

N.B. If you wish to push the tumble dryer under a worktop and there is space to do this **without removing the lid** the building-under kit is not necessary. Otherwise the building-under kit is essential.

- The building-under kit is supplied with its own installation instructions.
- N.B. When built under, drying times may be longer.
- The electrical socket must be located in an accessible position near the appliance.

With niche heights of:

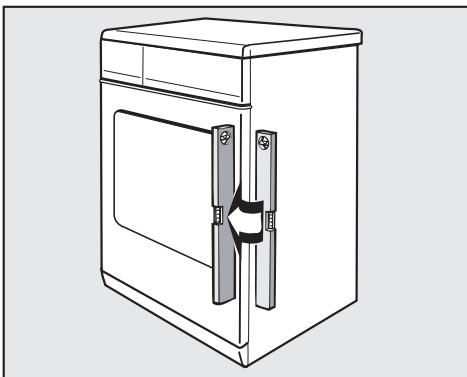
- 830-840 mm, longer screw feet\* are required.
- 870-885 / 915-930 mm, one or two raising kits\* are required.

\* Miele accessory available to order

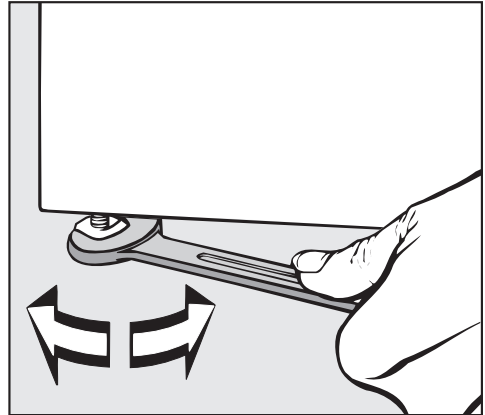
## Replacing the lid

If the lid has been removed in order to fit a coverplate, ensure that, if the lid is ever replaced, it fits securely into the rear holders. Otherwise, it is not properly secure for transport.


## Levelling the appliance



The appliance must be perfectly level to ensure safe and proper operation.




- The screw feet can be adjusted to compensate for any unevenness in the floor.

 Do not block the gap between the bottom of the tumble dryer and the floor with plinth facings, deep pile carpet etc. This would hinder a sufficient flow of air to the dryer.

## Washer-dryer stack

The tumble dryer can also be combined with a Miele washing machine in a washer-dryer stack. The appropriate "WTV" stacking kit (available to order) to match your dryer is required.

\* Miele accessory available to order

 Stacking kits must only be installed by a suitably qualified fitter.

# Installation

## External condensed water outlet

### General notes

When drying is in progress, condensed water is pumped into the condensed water container through the drain hose at the back of the dryer. The condensed water can also be drained off directly if the tumble dryer is installed near a sink, drain outlet etc. so that the condensed water container does not have to be emptied.

Drain hose length . . . . . 1.50 m

Maximum delivery head . . . . . 1.50 m

Maximum drain hose length . . . . 4.00 m

**⚠** If the on-site water drainage system is not fitted with a non-return valve or an appropriate air gap, one must be fitted to prevent the risk of back-flow. (See "Installation conditions requiring a non-return valve").

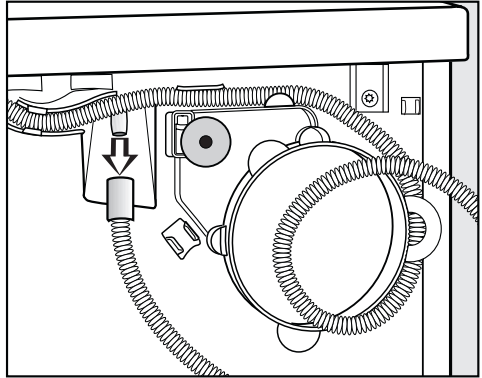
The following optional accessories are available:

- an extension hose
- a non-return valve kit for connection to an external condensed water outlet (includes an extension hose).  
Maximum delivery head with non-return valve fitted: 1.00 m

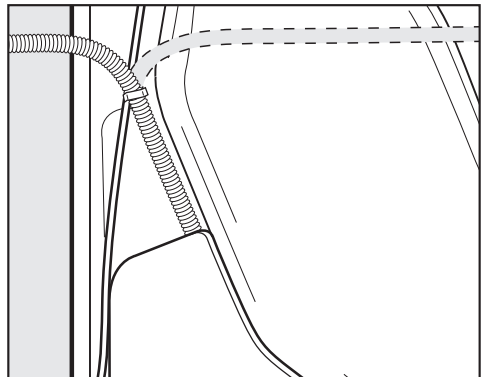
### Arranging the drain hose

**⚠** Do not pull on the drain hose and do not stretch it or allow it to become kinked as it could get damaged.

- There will be a small amount of residual water in the drain hose. Have a container ready to collect this.



- Pull the hose off its connection (see arrow).
- Allow any residual water to run into the container.
- Unwind the hose and pull it carefully out of the holders.




- Position the hose to the right or left hand side as necessary.

Leave the hose in the middle holder to prevent it from becoming kinked inadvertently.


## External drainage via a sink or gully

- See "Front view" illustration.

 If you want to drain the water off into a sink you will need to secure the hose carefully, e.g. by tying it to a tap to make sure it cannot slip during use. Otherwise there is a risk of overflowing water which could cause damage.

- Use the bow-shaped guide to prevent the drain hose from becoming kinked.

## Installation conditions requiring a non-return valve

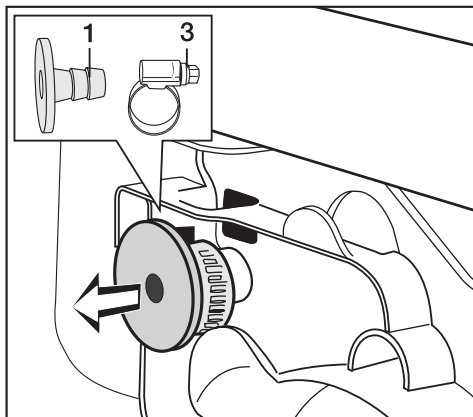
 Certain installation conditions require the fitting of a **non-return valve for external water connection (available as an optional accessory)**. A non-return valve will prevent the risk of back-flow out of the dryer which could cause damage.

A non-return valve is required:

- If the tumble dryer is connected to a sink drain outlet (see the following section).
- If the tumble dryer is connected to a drainage system **already in use** by another appliance, e.g. a dishwasher or washing machine.

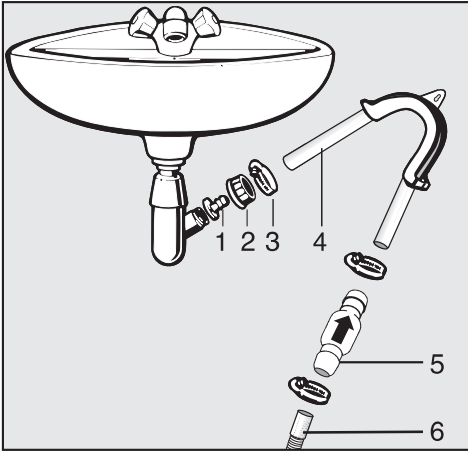
## Example: Connection to a sink drain outlet

The drain hose with non-return valve fitted can be connected directly to a suitable sink drain outlet.



- Remove the following from the back of the dryer at the top:  
Adapter **1** and hose clip **3** behind it.

# Installation



- 1 Adapter
- 2 Nut
- 3 Hose clip
- 4 End of the hose
- 5 Non-return valve
- 6 Tumble dryer drain hose

- Fit adapter **1** to the sink drain outlet using nut **2**.

If this nut has a flat disc in it you should take the disc out first.

- Attach the end of hose **4** to adapter **1**.
- Use a screwdriver to tighten hose clip **3** up close to the nut.

**⚠** Non-return valve **5** has to be fitted with the arrow pointing in the direction of flow (i.e. towards the sink). Otherwise water will not drain out of the appliance.

- Fit non-return valve **5** to tumble dryer drain hose **6** (make sure it is fitted in the correct direction - see arrow on non-return valve).
- Secure the non-return valve using hose clips.



### Electrical connection U.K.

All electrical work should be carried out by a suitably qualified and competent person, in strict accordance with current national and local safety regulations (BS 7671 in the UK).

Ensure power is not supplied to the appliance until after installation work has been carried out.

The appliance is supplied with a mains cable with moulded plug ready for connection to a 230-240V mains supply. Please ensure the connection data quoted on the data plate match the household mains supply.

Connection should be made via a suitable switched socket which is easily accessible after installation.

For extra safety it is advisable to install a suitable residual current device (RCD). Contact a qualified electrician for advice.

Do not connect via an extension lead. Extension leads do not guarantee the required safety of the appliance (e.g. danger of overheating).

### Non-rewireable plugs BS 1363

The fuse cover must be refitted when changing the fuse, and if the fuse cover is lost, the plug must not be used until a suitable replacement is obtained. The colour of the correct replacement cover is that of the coloured insert in the base of the plug, or the colour that is embossed in words on the base of the plug (as applicable to the design of plug fitted).

Replacement fuses should be ASTA approved to BS 1362 and have the correct rating. Replacement fuses and fuse covers may be purchased from your local electrical supplier.

**WARNING: THIS APPLIANCE  
MUST BE EARTHED**

# Consumption data

	Load <sup>1)</sup>	Final spin speed in a domestic washing machine	Residual moisture	Energy	Duration
	kg	rpm	%	kWh	Minutes
<b>Cottons Normal<sup>2</sup></b>	6.0	1000	60	1.80	104
<b>Cottons Normal + Freshen up + Gentle tumble</b>	6.0 6.0	1000 1000	60 60	0.95 1.80	56 110
<b>Cottons Normal</b>	6.0 6.0 6.0 6.0	1200 1400 1600 1800	53 50 48 43	1.65 1.55 1.50 1.35	95 90 87 79
<b>Cottons Hand iron <math>\Delta\Delta^2</math></b>	6.0	1000	60	1.35	81
<b>Cottons Hand iron <math>\Delta\Delta</math></b>	6.0 6.0 6.0 6.0	1200 1400 1600 1800	53 50 48 43	1.20 1.10 1.05 0.90	71 67 64 56
<b>Minimum iron Normal<sup>2</sup></b>	3.0	1200	40	0.60	40
<b>Minimum iron Normal + Freshen up + Gentle tumble</b>	3.0 3.0	1200 1200	40 40	0.65 0.60	41 37
<b>Minimum iron Hand iron</b>	3.0	1200	40	0.50	35
<b>Automatic + Normal</b>	4.5	900	50	1.30	79
<b>Shirts Normal</b>	2.0	400	60	0.75	47
<b>Delicates Normal</b>	2.5	900	50	0.70	45
<b>Sportswear Normal</b>	3.0	900	50	1.05	64
<b>Large pillows</b>	1.2	1200	30	1.40	86
<b>Outerwear Normal</b>	2.5	500	50	1.20	75
<b>Denim Normal</b>	3.0	900	60	1.55	92

<sup>1</sup> Weight of dry laundry

<sup>2</sup> EN 61121:2005 test programme

All other data was calculated using EN 61121:2005.

## Notes for test institutes:

Before testing in accordance with EN 61121, dry a 3 kg load of cotton laundry with 70% residual moisture as per the above standard using the Cottons Normal programme without any extra options.

Consumption data can vary from the nominal values given above depending on the size of the load, types of textiles, residual moisture levels after spinning, fluctuations in the electricity supply and any extra options selected.

## Technical data

Height	850 mm
Width	595 mm
Depth	596 mm
Depth with door open	1060 mm
Height for building under	820 mm
Width for building under	600 mm
Depth for building under	600 mm
Suitable for pushing under a worktop	Yes
Suitable for stacking	Yes
Weight	69 kg
Drum volume	111 l
Maximum capacity	6 kg dry weight
Capacity of condensed water container	approx. 3.5 l
Drain hose length	1.50 m
Maximum delivery head	1.50 m
Maximum drain hose length	4.00 m
Length of connection cable	2.00 m
Voltage	See data plate
Connected load	
Fuse rating	
Lamp wattage	
Test certificates awarded	
Type of refrigerant	R134a
Maximum quantity of refrigerant	480 g
Energy consumption	see "Consumption data"

## Settings menu for changing default settings

The Settings menu is used to alter the dryer's electronics to suit different requirements.  
Settings can be altered at any time.

## To open the Settings menu

- Close the door.
- Switch the dryer on.
- Press both menu buttons at the same time until the following appears in the display:



You are now in the *Settings* menu.

Select the setting you want with the left hand *Menu* button under **Continue**, and confirm your selection with the right hand *Menu* button under **OK**.


## To close the Settings menu





- Press the right hand *Menu* button under **OK**.

## Language

The display can be set to appear in one of several different languages.

- Select the language you want by pressing the left hand *Menu* button under  (*Continue*).

A tick  will appear beside the language to show that it has been set.

The flag  after the word *Language* acts as a guide to prevent a language which will not be understood from being set.

# Settings menu

---

## Time

First select either a 24 hour or 12 hour clock. You can then set the current time of day.

### To set the clock format



- Select the clock format you want with the left hand *Menu* button under **Continue**, and confirm your selection with the right hand *Menu* button under **OK**.



### To set the time

- Select the hours and minutes using the *Menu* buttons.

## Drying levels

You can alter the drying levels for the *Cottons* and *Minimum iron* programmes.

The bar chart shows you the setting. Factory default: a medium setting.

-  (damper)  
The programme duration is shorter.
-  (drier)  
The programme duration is longer.

## Anti-crease

Helps prevent creasing, if laundry is not normally removed immediately after the end of a programme.

After the programme has finished, the drum will continue to rotate at intervals.

- 2 hours (factory default setting).
- 1 hour

## Lock code

The code prevents your machine being used without your knowledge.

When the code has been activated, you have to enter a code after switching the dryer on. Otherwise the dryer cannot be operated.

### To activate the lock code



- Press the right hand *Menu* button under **OK**.
- The display will now request that a code is entered. The code is **250** and cannot be altered.

### To enter the lock code

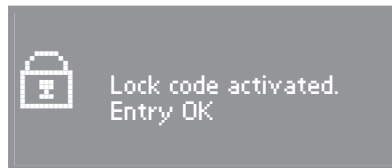


- Enter the first number with the left hand *Menu* button under ▲. Confirm your selection of this number by pressing the right hand *Menu* button under **OK**. Now enter the second number.
- Repeat the process until all three numbers have been entered.



- Confirm the lock code by pressing the right hand *Menu* button under **OK** or, if you have made a mistake, press the left hand *Menu* button under **Back** ←.

The following will appear in the display:



Once the tumble dryer is switched off, it can only be used again if the lock code is entered.

### To use the dryer when the lock code is activated

When the tumble dryer is switched on again, the display will request the lock code.

- Enter code 250 as described above and confirm the entry.

The dryer is now unlocked and ready for use.

### To deactivate the lock code

Proceed as for activating the code.

# Settings menu

---

## Buzzer

The buzzer has two volumes.

### Normal (Factory default)

The buzzer sounds at the end of a programme.

### Loud

The buzzer sounds at maximum volume at the end of a programme.

A tick ✓ will appear beside the option to show that it has been set.

## Keypad tone

An audible tone sounds each time a button is pressed.

A tick ✓ will appear beside the option to show that it has been set.

Factory default: Off.

## Contrast

## Brightness

There are ten different display contrast and display brightness settings.

The bar chart shows you the setting.

Factory default: a medium setting.

## Standby display

To save energy, the display goes out after 10 minutes and the indicator light for the *Start/Stop* button will start flashing slowly.

There are two options:

### On

Standby is activated:

- if a programme is not selected within 10 minutes of the tumble dryer being switched on.
- 10 minutes after a programme has started.
- 10 minutes after the end of a programme.

### Not in current prog.

(Factory default)

- Standby is activated if a programme is not selected within 10 minutes of the tumble dryer being switched on and after the end of a programme. (Standby is not activated after a programme has started).

Pressing one of the buttons switches the display back on again.

A tick ✓ will appear beside the option to show that it has been set.

## Memory

The electronics will memorise the drying level and any extra options selected for the current drying programme.

A tick ✓ will appear beside the option to show that it has been set.

Factory default: Off.











## **United Kingdom**

Miele Co. Ltd.  
Fairacres, Marcham Road  
Abingdon, Oxon, OX14 1TW  
Tel: (01235) 554455  
Fax: (01235) 554477  
Customer Contact Centre Tel: (08707) 554466  
E-mail: [info@miele.co.uk](mailto:info@miele.co.uk)  
Internet: [www.miele.co.uk](http://www.miele.co.uk)

## **Australia**

Miele Australia Pty. Ltd.  
ABN 96 005 635 398  
1 Gilbert Park Drive, Knoxfield, VIC 3180  
Tel: (03) 9764 7130  
Fax: (03) 9764 7149  
Internet: [www.miele.com.au](http://www.miele.com.au)

## **China**

Miele Shanghai  
Suite 4105-06, Plaza 66  
1266 Nanjing Road West  
Jing An District  
Shanghai 200040, PRC  
Tel: +86 21 6288 4200  
Fax: +86 21 6288 4100  
E-mail: [mieleshanghai@cn.miele.com](mailto:mieleshanghai@cn.miele.com)  
Internet: [www.miele.cn](http://www.miele.cn)

## **Hong Kong**

Miele (Hong Kong) Limited  
AIA Plaza, 24<sup>th</sup> Floor  
18 Hysan Avenue  
Causeway Bay  
Tel: +852- 2610-1331  
Fax: +852-2610-1013  
E-mail: [mielehk@miele.com.hk](mailto:mielehk@miele.com.hk)  
Internet: [www.miele.hk](http://www.miele.hk)

## **Ireland**

Miele Ireland Ltd.  
Broomhill Road, Tallaght, Dublin 24  
Tel: (01) 461 0710  
Fax: (01) 461 07 97  
E-Mail: [info@miele.ie](mailto:info@miele.ie)  
Internet: [www.miele.ie](http://www.miele.ie)

## **New Zealand**

Miele New Zealand Limited  
Unit L, 10-20 Sylvia Park Road  
Mt. Wellington, 1060, Auckland, NZ  
Tel: 0800 264 353  
Fax: 0800 463 453  
Internet: [www.miele.co.nz](http://www.miele.co.nz)

## **South Africa**

Miele (Pty) Ltd  
63 Peter Place, Bryanston 2194  
P.O. Box 69434, Bryanston 2021  
Tel: +27 (0) 11 548-1900  
Fax: +27 (0) 11 548-1935  
E-mail: [info@miele.co.za](mailto:info@miele.co.za)  
Internet: [www.miele.co.za](http://www.miele.co.za)

## **Singapore**

Miele Southeast Asia  
Miele Pte. Ltd.  
163 Penang Road  
# 04 - 02/03 Winsland House II  
Singapore 238463  
Tel: +65 6735 1191  
Fax: +65 6735 1161  
E-Mail: [infosea@miele.com.sg](mailto:infosea@miele.com.sg)  
Internet: [www.miele.sg](http://www.miele.sg)

## **United Arab Emirates**

Miele Appliances Ltd.  
P.O. Box 11 47 82  
Gold & Diamond Park  
Sheikh Zayed Road  
Building 6 / Offices Nos. 6-214 to 6-220  
Dubai  
Tel: +971-4-341 84 44  
Fax: +971-4-341 88 52  
E-Mail: [info@miele.ae](mailto:info@miele.ae)  
Internet: [www.miele.ae](http://www.miele.ae)